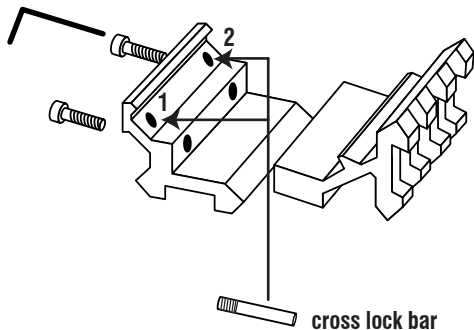


L-RAIL INSTALLATION INSTRUCTIONS

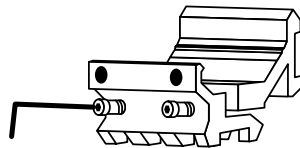
ADP-LRLG-140



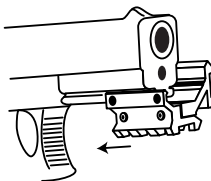
- ① **UNLOAD YOUR FIREARM!**
- ② Thread the two screws into the mount.
- ③ **A.** With out cross lock bar slide onto weapon rail and tighten down.
- B.** With cross lock bar thread the bar into hole one or two, attach rail and tighten down.
- ④ Mount may be used in two positions.

① UNLOAD YOUR FIREARM!

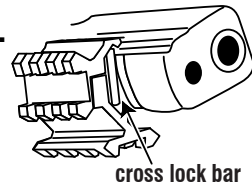
②



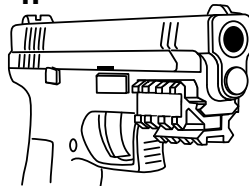
③ A.



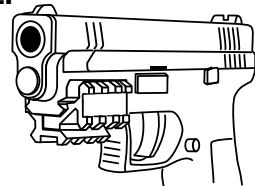
B.



④ 1.



2.



A Division of P&L Industries
101 Airpark Road - Cottonwood, AZ 86326
Phone 928-649-3201 - Fax 928-649-3970
www.LaserLyte.com

WARRANTY:
One Year Limited
Warranty.